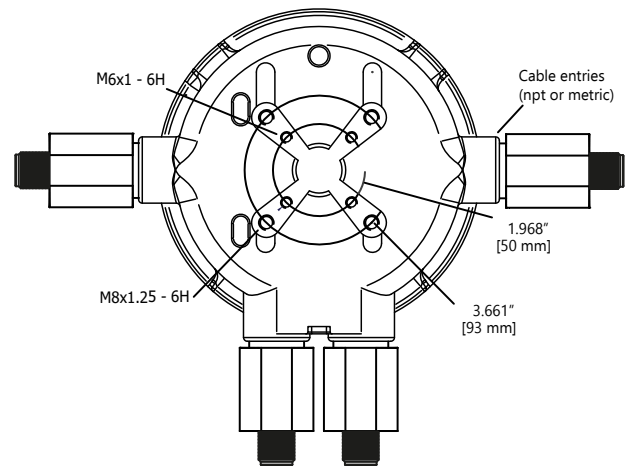
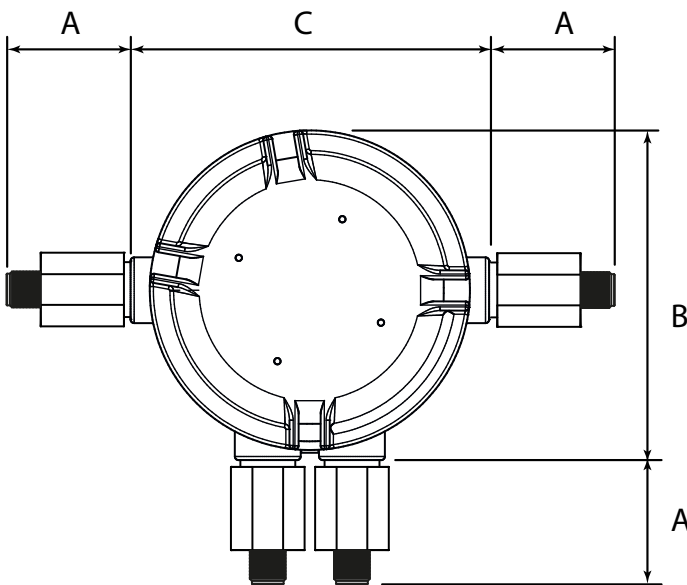
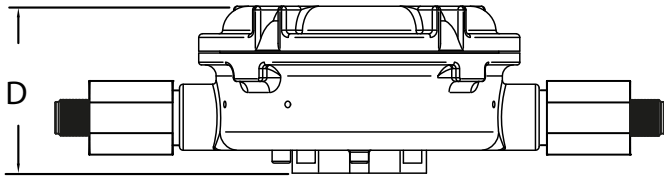




# DIMENSIONAL DRAWINGS

In order to determine overall dimension of a specific unit pls follow instructions:

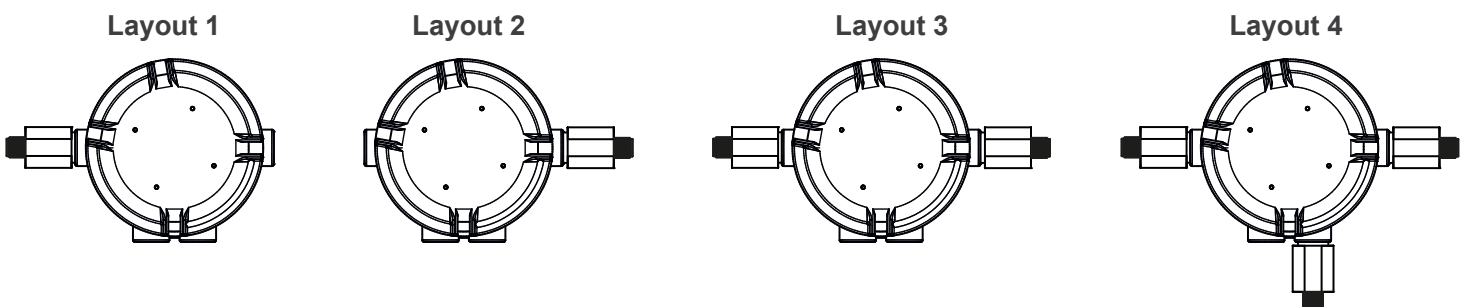
- 1) Select the specific layout (you can find it in the product nomenclature)
- 2) Consider only the antenna coupler dimension (A) that you find in the layout



Model	A (*)	B	C	D
SWA HWA	58,5 mm [2.30"] metric coupler 70 mm [2.76"] npt coupler	179,8 mm [7.08"]	180 mm [7.09"]	89,5 mm [3.52"]
SWS HWS	58,5 mm [2.30"] metric coupler 70 mm [2.76"] npt coupler	180,5 mm [7.11"]	196 mm [7.72"]	90 mm [3.54"]

(\*) max dimension related to RX or SX coupler with N female antenna connector

## TYPICAL LAYOUTS \*\*



(\*\*) layout type specified in device datasheet